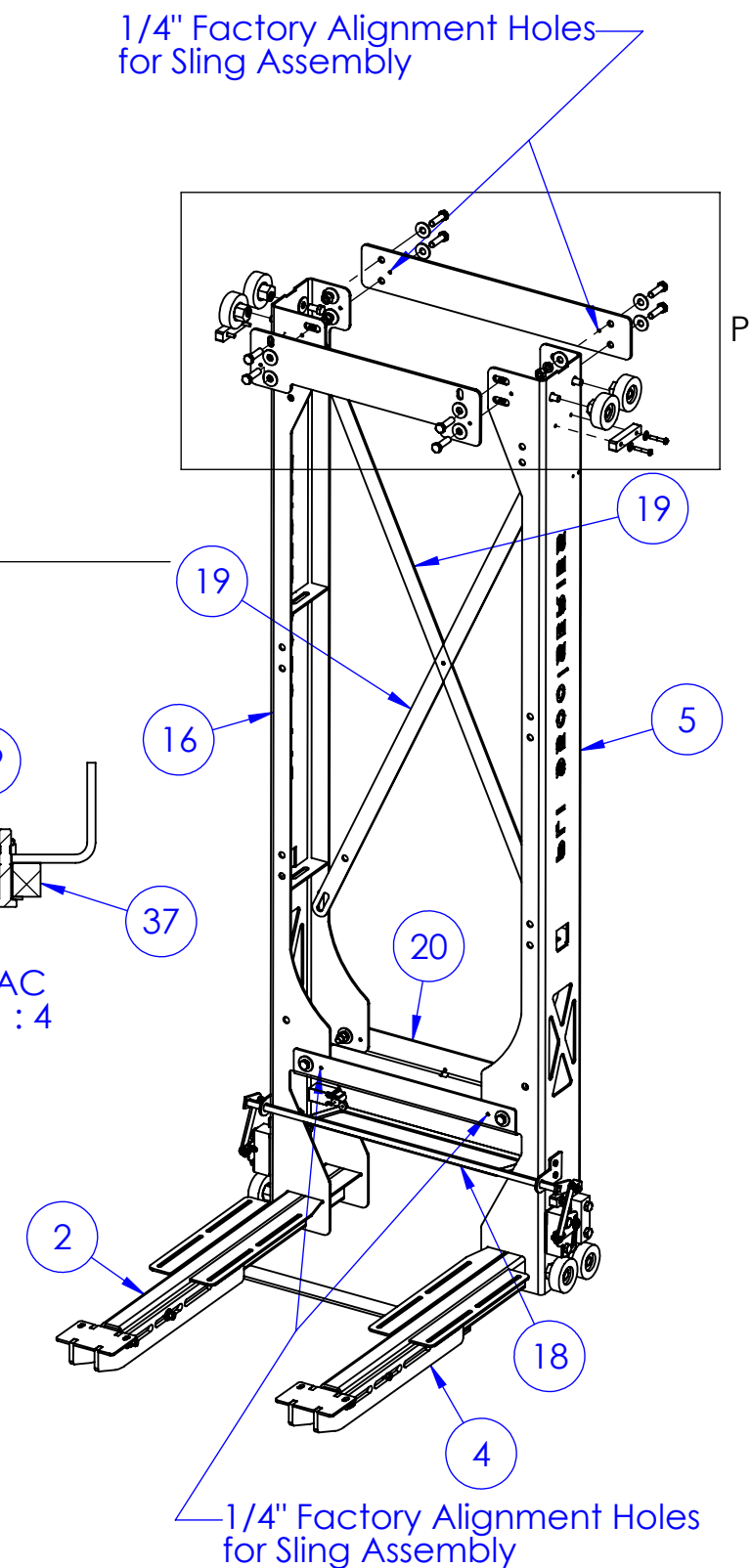
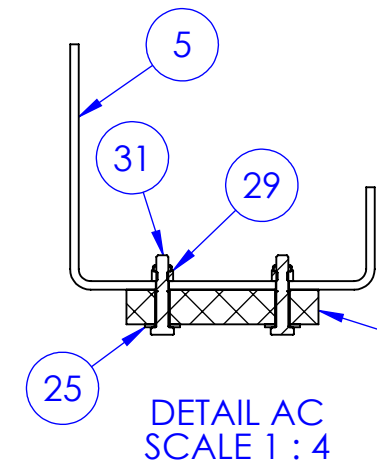
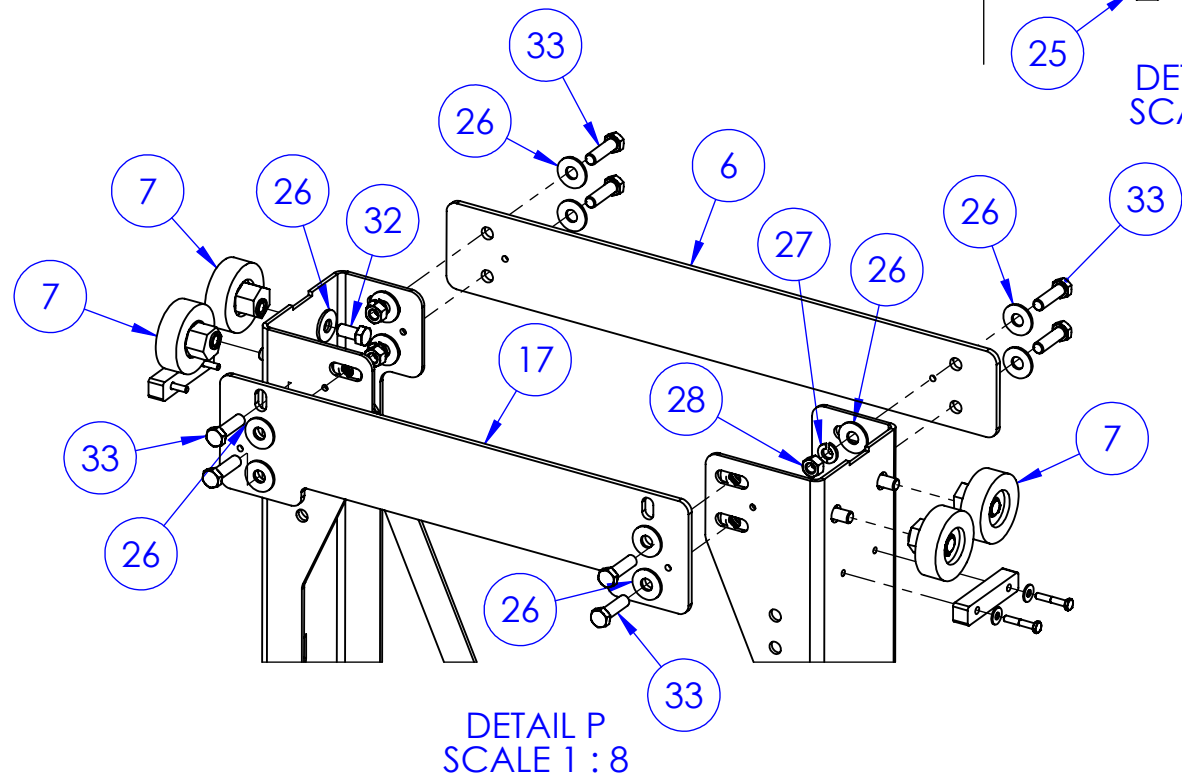


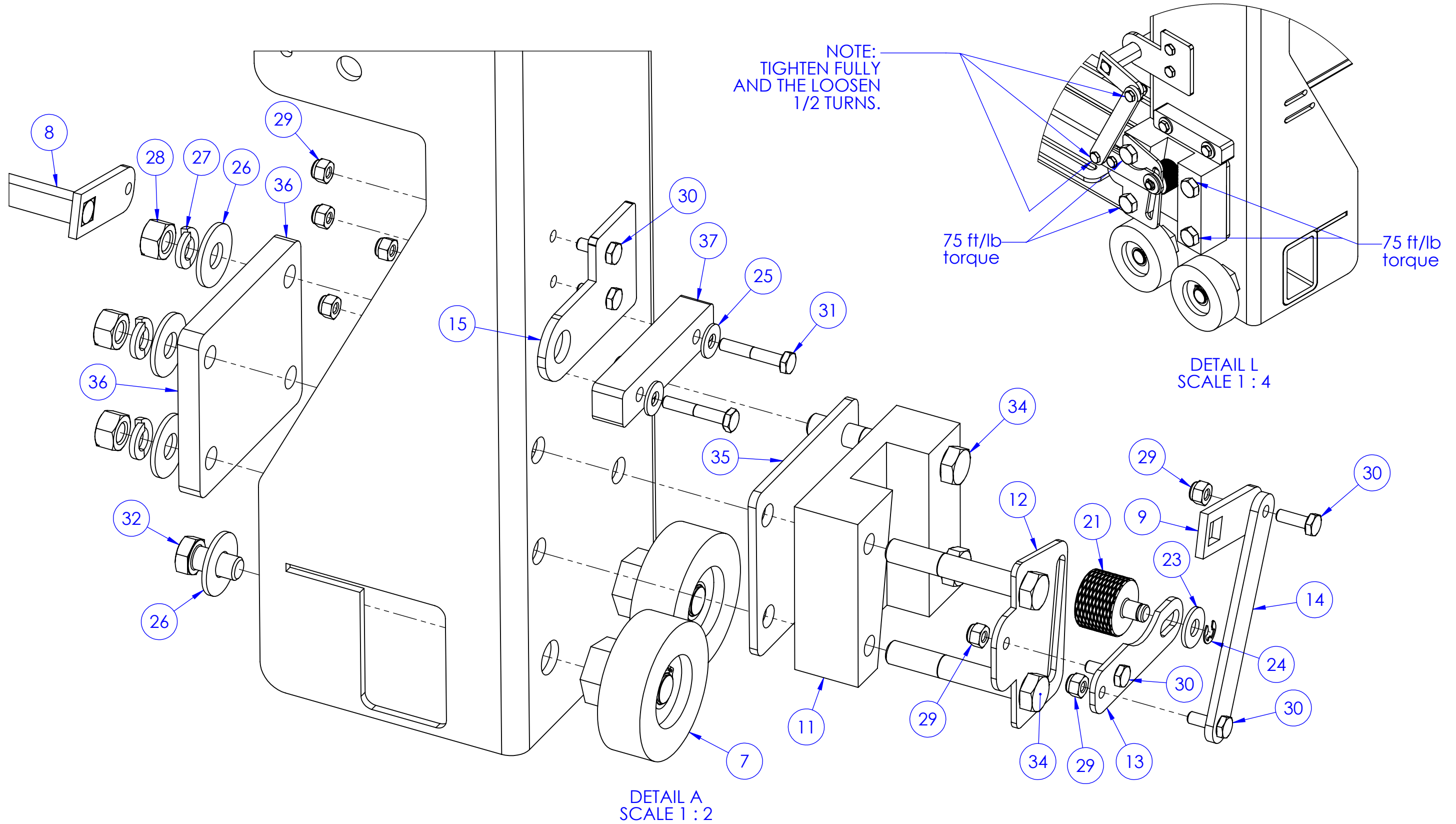
ITEM NO.	PART NUMBER	DESCRIPTION	QTY.
1	Bottom Cross Brace		1
2	Leg Extensions		1
3	Limit Switch		1
4	Leg Extensions		1
5	Standard 9500 Series Sling Side		1
6	Rear Crosshead		1
7	Roller Guide		8
8	Safety Bar		1
9	Safety Bar Activation Plate		2
10	Safety Block Left		1
11	Safety Block Right		1
12	Safety Guide Plate		2
13	Safety Linkage Bar 1		2
14	Safety Linkage Bar 2		2
15	Square Bar Pivot Plate		2
16	Standard 9500 Series Sling Side		1
17	Standard Crosshead		1
18	Standard Safety Activation Pan		1
19	Standard X-Brace		2
20	WD-9500 Hitch Plate		1
21	WD-9500 Safety Roller		2
22	9500 Series Sling Gusset		4

ITEM NO.	PART NUMBER	DESCRIPTION	QTY.
23	91860A030	3/8" Flat Washer	2
24	98408A132	External Retaining Ring	2
25	1133004	1/4" Flat Washer	8
26	1133012	1/2" Flat Washer	44
27	1133626	1/2" Lock Washer	21
28	1136310	1/2"-13 Nut	20
29	1137018	1/4"-20 Nylon Nut	18
30	110120302	1/4"-20 X .75" HCS	10
31	110120306	1/4" - 20 X 1.5" HCS	8
32	110120378	1/2"-13 X 1" HCS	11
33	110120381	1/2"-13 X 1.75" HCS	12
34	110120387	1/2"-13 X 3.25" HCS	8
35	Safety Block Spacer		2
36	Safety Block Spacer		2
37	WD9500 Slide Guide		5



WD-9500 SLING ASSEMBLY 80" CAB / DRUM

DO NOT SCALE DRAWING	NAME	DATE	PROJECT NAME
	JCE	7/3/2019	WD-9500 SLING
APPROVAL STATUS:	PROPRIETARY AND CONFIDENTIAL		PROJECT LOCATION
APPROVED	THE INFORMATION CONTAINED IN THIS DRAWING IS THE SOLE PROPERTY OF PRECISION LIFT INDUSTRIES, LLC. ANY REPRODUCTION IN PART OR AS A WHOLE WITHOUT THE WRITTEN PERMISSION OF PRECISION LIFT INDUSTRIES, LLC IS PROHIBITED.		COMMENTS:
APPROVED AS NOTED	SIZE	DWG. NO.	REV.
REVISE AND RESUBMIT	A		
SIGNATURE	SCALE 1:16		SHEET 1 OF 11

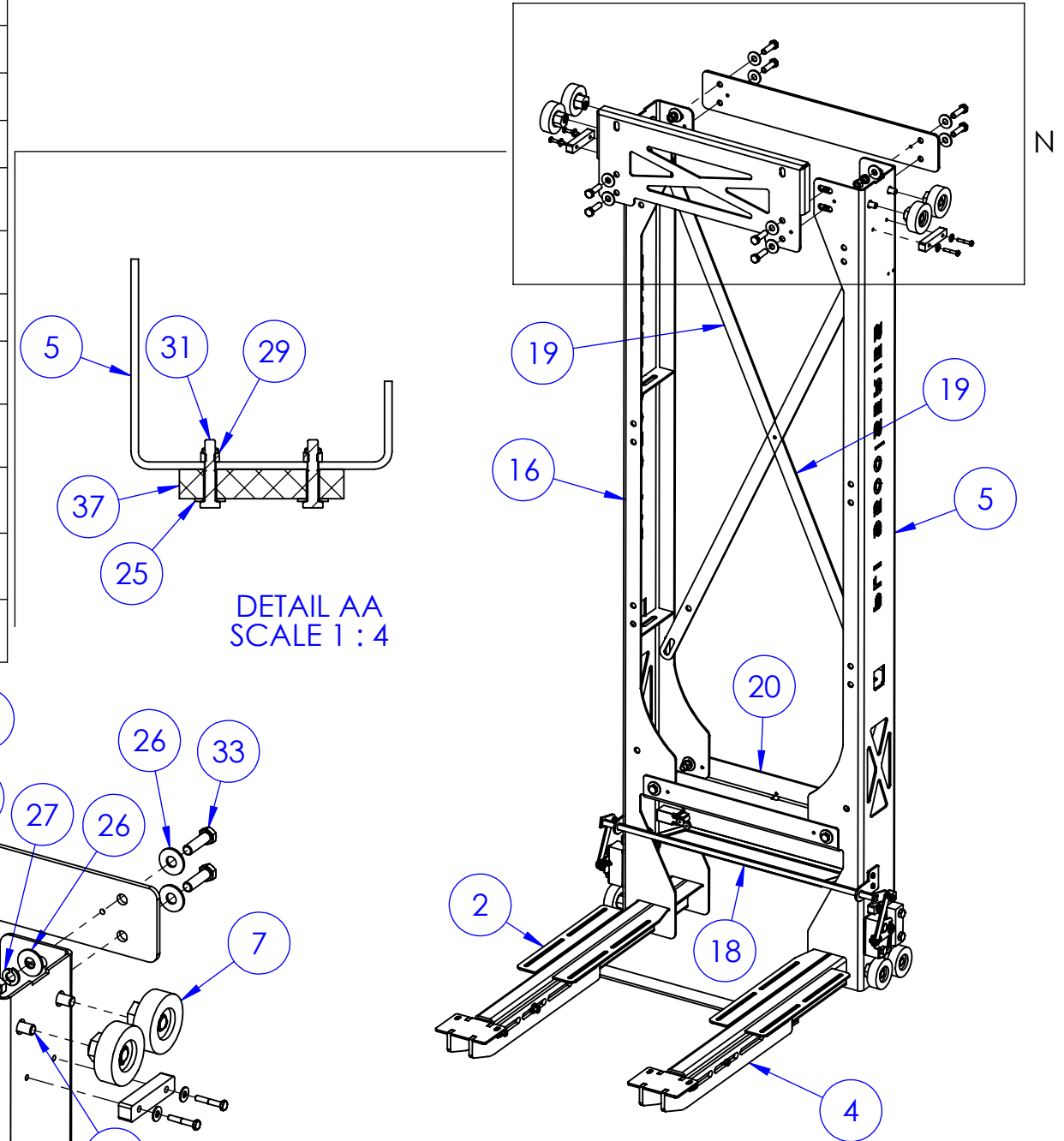


9500 SERIES SLING LINKAGE ASSEMBLY

DO NOT SCALE DRAWING	DRAWN	NAME	DATE	PROJECT NAME
	JCE	JCE	7/3/2019	9500 SERIES SLING
APPROVAL STATUS:	PROPRIETARY AND CONFIDENTIAL			PROJECT LOCATION
APPROVED	THE INFORMATION CONTAINED IN THIS DRAWING IS THE SOLE PROPERTY OF PRECISION LIFT INDUSTRIES, LLC. ANY REPRODUCTION IN PART OR AS A WHOLE WITHOUT THE WRITTEN PERMISSION OF PRECISION LIFT INDUSTRIES, LLC IS PROHIBITED.			COMMENTS:
APPROVED AS NOTED	SIZE	DWG. NO.	REV.	
REVISE AND RESUBMIT	A			
SIGNATURE	SCALE 1:16			SHEET 2 OF 11

ITEM NO.	PART NUMBER	DESCRIPTION	QTY.
1	Bottom Cross Brace		1
2	Leg Extensions		1
3	Limit Switch		1
4	Leg Extensions		1
5	Standard 9500 Series Sling Side		1
6	Rear Crosshead		1
7	Roller Guide		8
8	Safety Bar		1
9	Safety Bar Activation Plate		2
10	Safety Block Left		1
11	Safety Block Right		1
12	Safety Guide Plate		2
13	Safety Linkage Bar 1		2
14	Safety Linkage Bar 2		2
15	Square Bar Pivot Plate		2
16	Standard 84in Crosshead		1
17	Standard 9500 Series Sling Side		1
18	Standard Safety Activation Pan		1
19	Standard X-Brace		2
20	WD-9500 Hitch Plate		1
21	WD-9500 Safety Roller		2
22	9500 Series Sling Gusset		4

ITEM NO.	PART NUMBER	DESCRIPTION	QTY.
23	91860A030	3/8" Flat Washer	2
24	98408A132	External Retaining Ring	2
25	1133004	1/4" Flat Washer	8
26	1133012	1/2" Flat Washer	46
27	1133626	1/2" Lock Washer	20
28	1136310	1/2"-13 Nut	20
29	1137018	1/4"-20 Nylon Nut	18
30	110120302	1/4"-20 X .75" HCS	10
31	110120306	1/4" - 20 X 1.5" HCS	8
32	110120378	1/2"-13 X 1" HCS	12
33	110120381	1/2"-13 X 1.75" HCS	12
34	110120387	1/2"-13 X 3.25" HCS	8
35	Safety Block Spacer		2
36	Safety Block Spacer		2
37	WD9500 Slide Guide		5

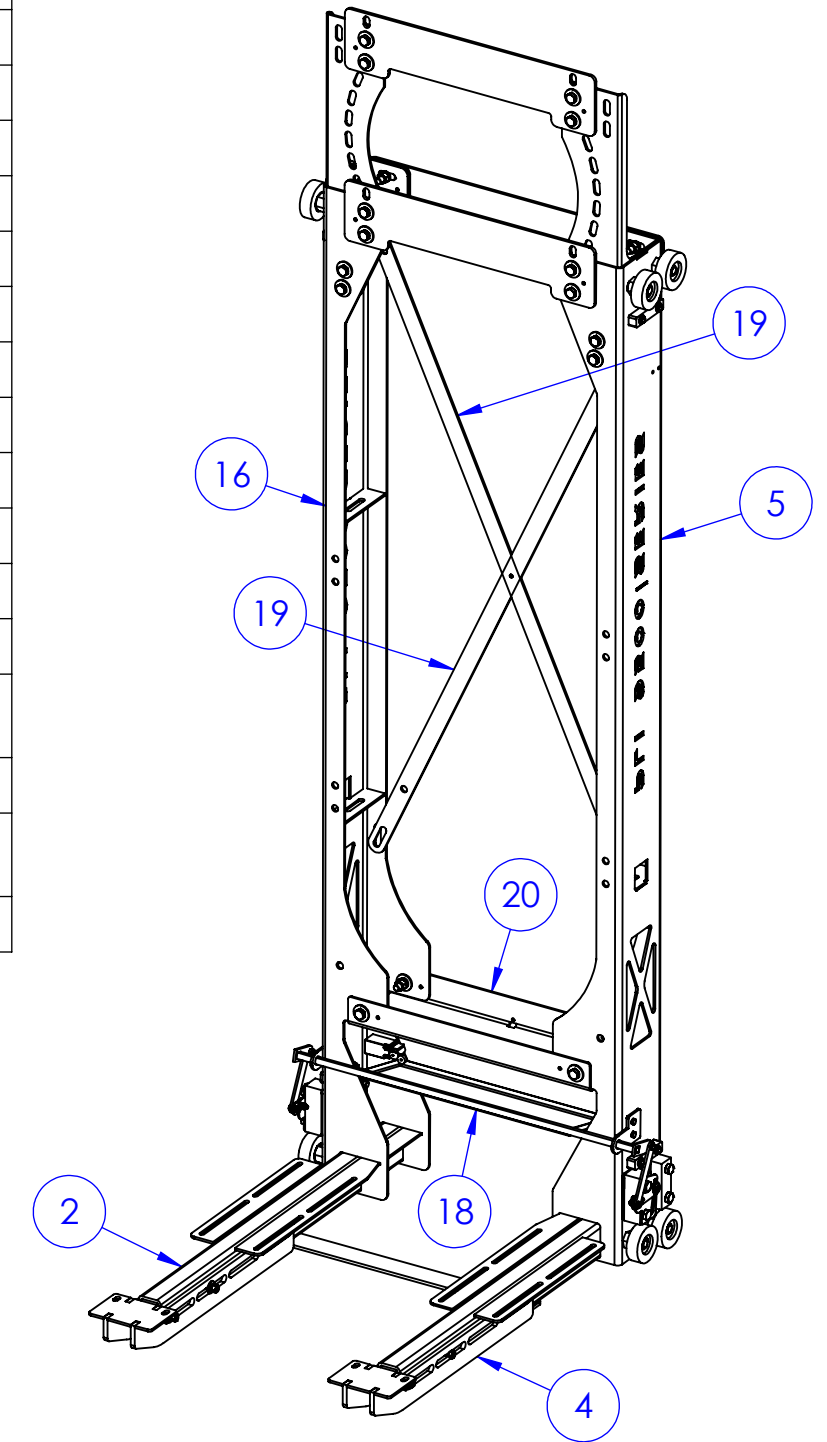


WD-9500 SLING ASSEMBLY 84" CAB / DRUM

DO NOT SCALE DRAWING	NAME	DATE	PROJECT NAME
	JCE	7/3/2019	WD-9500 SLING
APPROVAL STATUS:	PROPRIETARY AND CONFIDENTIAL		PROJECT LOCATION
APPROVED	THE INFORMATION CONTAINED IN THIS DRAWING IS THE SOLE PROPERTY OF PRECISION LIFT INDUSTRIES, LLC. ANY REPRODUCTION IN PART OR AS A WHOLE WITHOUT THE WRITTEN PERMISSION OF PRECISION LIFT INDUSTRIES, LLC IS PROHIBITED.		COMMENTS:
APPROVED AS NOTED	SIZE	DWG. NO.	REV.
REVISE AND RESUBMIT	A		
SIGNATURE	SCALE 1:16		SHEET 3 OF 11

ITEM NO.	PART NUMBER	DESCRIPTION	QTY.
1	Bottom Cross Brace		1
2	Leg Extensions		1
3	Limit Switch		1
4	Leg Extensions		1
5	Standard 9500 Series Sling Side		1
6	Roller Guide		8
7	Safety Bar		1
8	Safety Bar Activation Plate		2
9	Safety Block Left		1
10	Safety Block Right		1
11	Safety Guide Plate		2
12	Safety Linkage Bar 1		2
13	Safety Linkage Bar 2		2
14	Square Bar Pivot Plate		2
15	Standard 9500 Series Sling Side		1
16	Standard Safety Activation Pan		1
17	Standard X-Brace		2
18	WD-9500 Hitch Plate		1
19	WD-9500 Safety Roller		2
20	9500 Series Sling Gusset		4
21	91860A030	3/8" Flat Washer	2

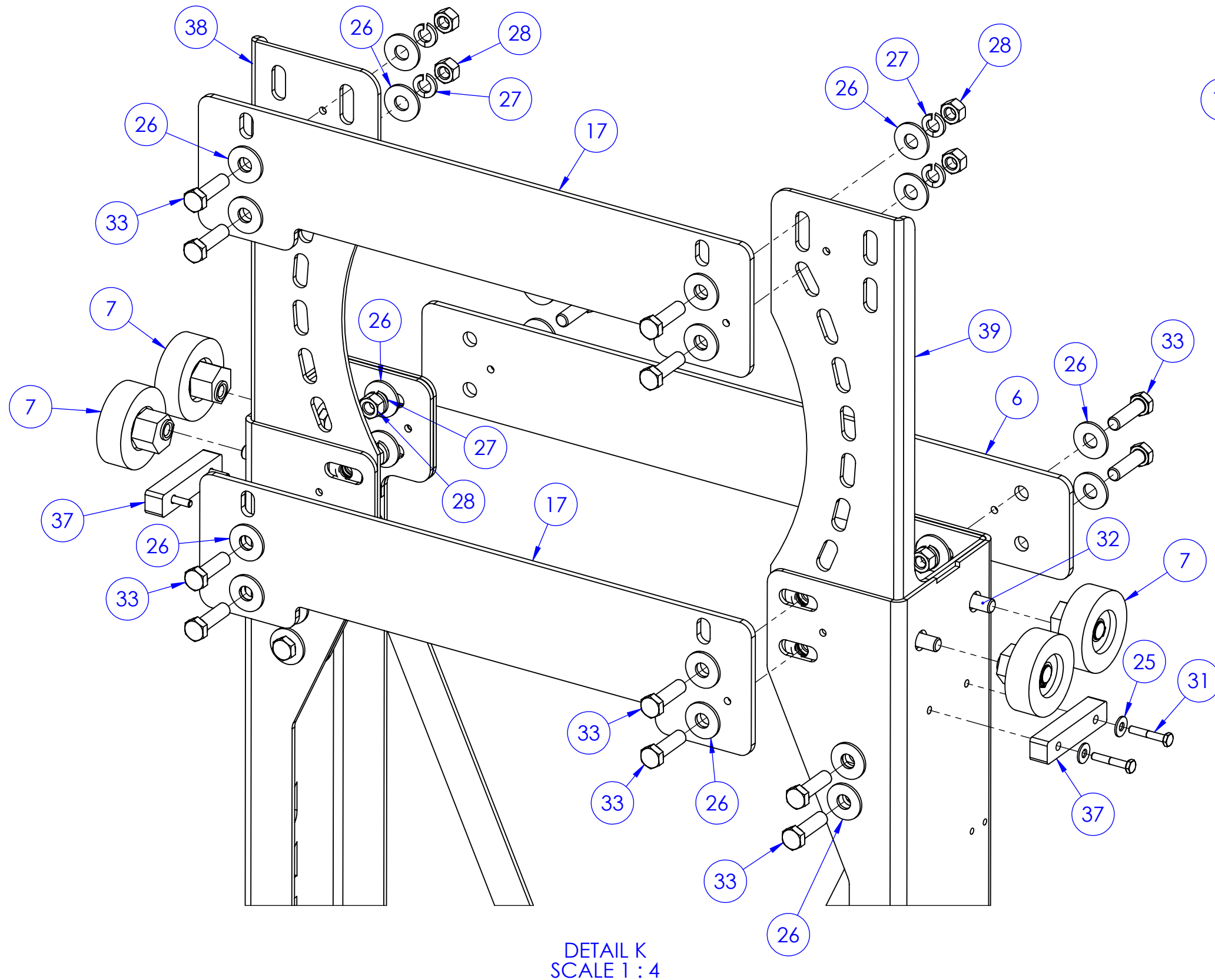
ITEM NO.	PART NUMBER	DESCRIPTION	QTY.
22	98408A132	External Retaining Ring	2
23	1133004	1/4" Flat Washer	8
24	1133012	1/2" Flat Washer	58
25	1133626	1/2" Lock Washer	24
26	1136310	1/2"-13 Nut	25
27	1137018	1/4"-20 Nylon Nut	18
28	110120302	1/4"-20 X .75" HCS	10
29	110120306	1/4" - 20 X 1.5" HCS	8
30	110120378	1/2"-13 X 1" HCS	8
31	110120381	1/2"-13 X 1.75" HCS	20
32	110120387	1/2"-13 X 3.25" HCS	8
33	Safety Block Spacer		2
34	Safety Block Spacer		2
35	WD9500 Slide Guide		5
36	Standard Crosshead		2
37	Rear Crosshead		1
38	Sling Extension HCE-001		1
39	95in Sling Extension		1



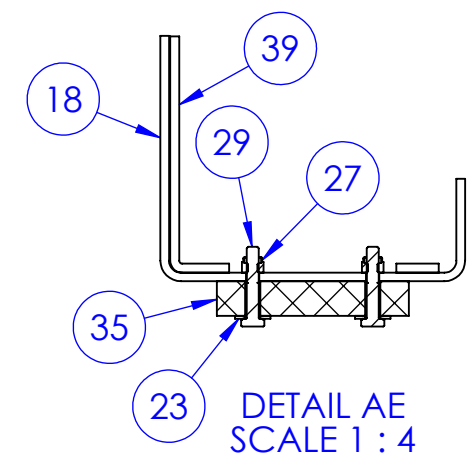
WD-9500 SLING ASSEMBLY

95" CAB / DRUM

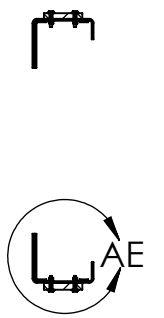
DO NOT SCALE DRAWING	NAME	DATE	PROJECT NAME
	JCE	7/3/2019	WD-9500 SLING
APPROVAL STATUS:	PROPRIETARY AND CONFIDENTIAL		PROJECT LOCATION
APPROVED	THE INFORMATION CONTAINED IN THIS DRAWING IS THE SOLE PROPERTY OF PRECISION LIFT INDUSTRIES, LLC. ANY REPRODUCTION IN PART OR AS A WHOLE WITHOUT THE WRITTEN PERMISSION OF PRECISION LIFT INDUSTRIES, LLC IS PROHIBITED.		COMMENTS:
APPROVED AS NOTED			
REVISE AND RESUBMIT			
SIGNATURE	SIZE	DWG. NO.	REV.
	A		
	SCALE 1:16		SHEET 4 OF 11



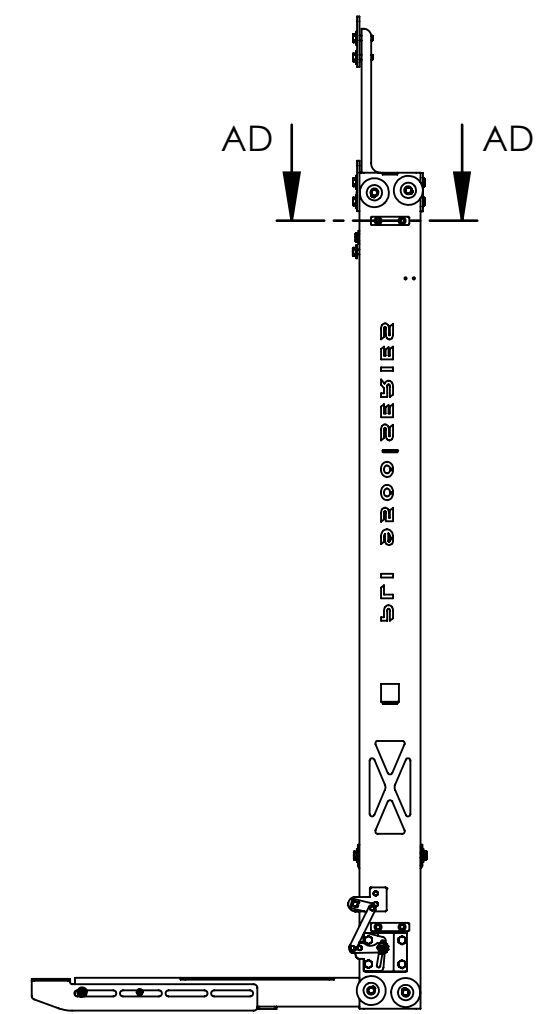
DETAIL K
SCALE 1 : 4



DETAIL AE
SCALE 1 : 4



SECTION AD-AD
SCALE 1 : 20



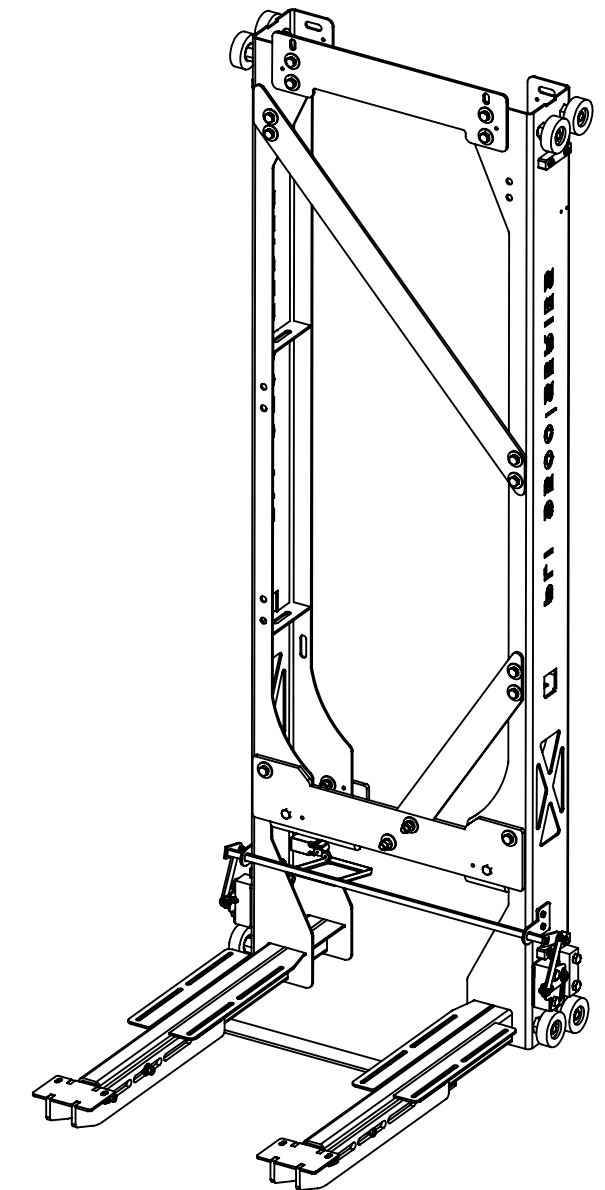
WD-9500 SLING ASSEMBLY

95" CAB / DRUM

DO NOT SCALE DRAWING	NAME	DATE	PROJECT NAME
	JCE	7/3/2019	WD-9500 SLING
APPROVAL STATUS:	PROPRIETARY AND CONFIDENTIAL		PROJECT LOCATION
APPROVED	THE INFORMATION CONTAINED IN THIS DRAWING IS THE SOLE PROPERTY OF PRECISION LIFT INDUSTRIES, LLC. ANY REPRODUCTION IN PART OR AS A WHOLE WITHOUT THE WRITTEN PERMISSION OF PRECISION LIFT INDUSTRIES, LLC IS PROHIBITED.		COMMENTS:
APPROVED AS NOTED	SIZE	DWG. NO.	REV.
REVISE AND RESUBMIT	A		
SIGNATURE	SCALE 1:16		SHEET 5 OF 11

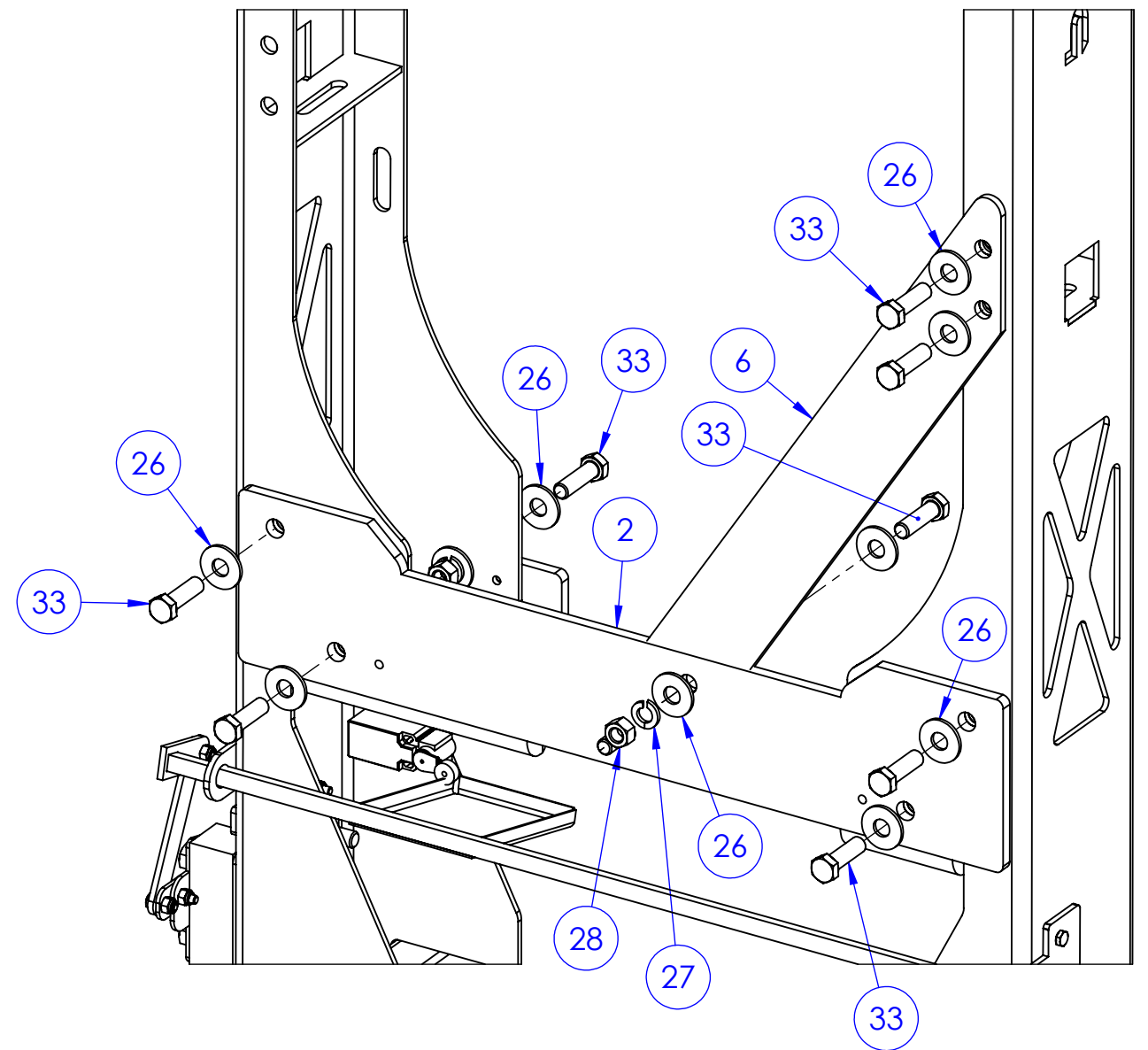
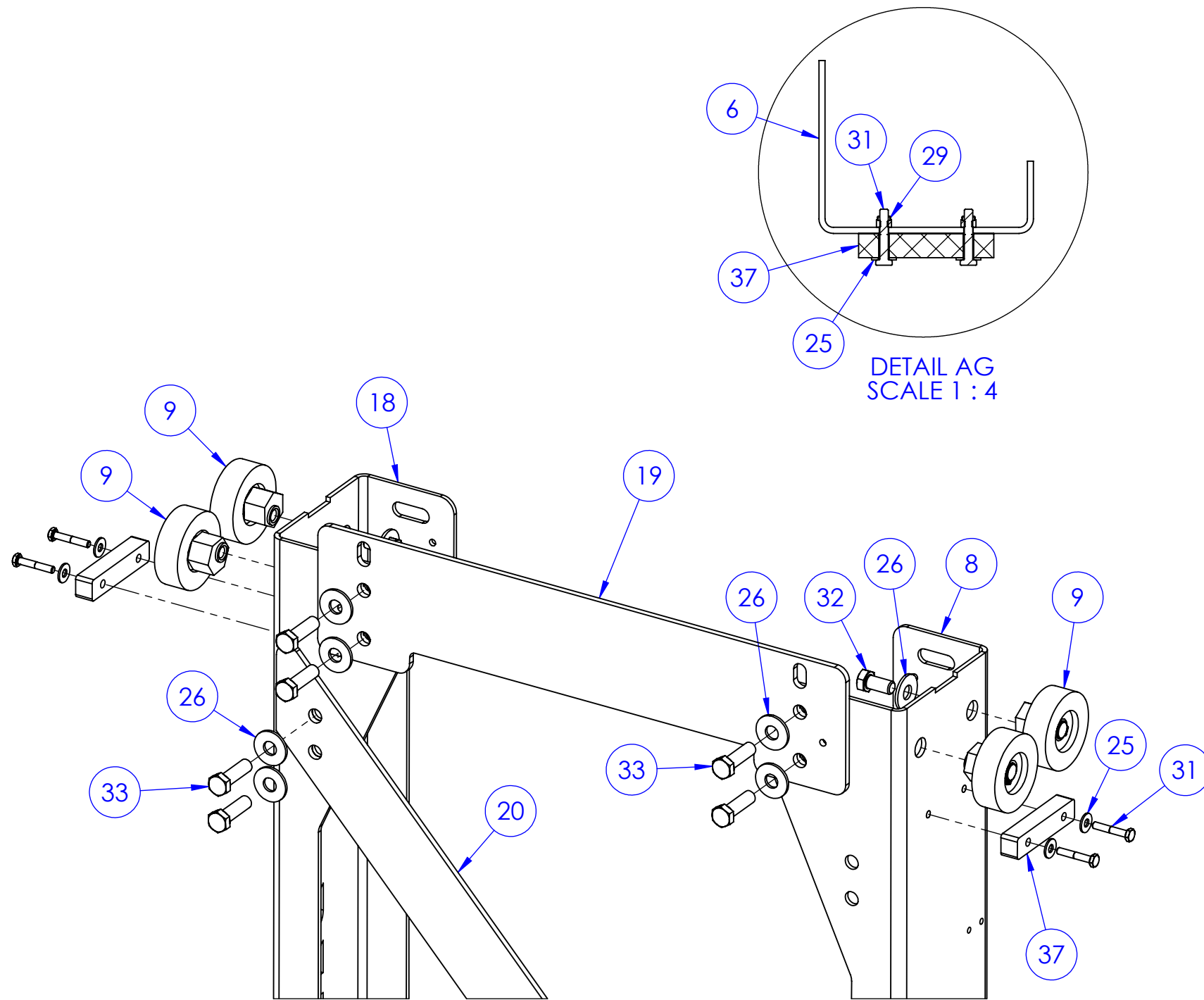
ITEM NO.	PART NUMBER	DESCRIPTION	QTY.
1	Bottom Cross Brace		1
2	HD-9500 Hitch Plate		1
3	HYDRO Safety Activation Pan		1
4	Leg Extensions		1
5	Limit Switch		1
6	Lower Cross Brace		1
7	Leg Extensions		1
8	Standard 9500 Series Sling Side		1
9	Roller Guide		8
10	Safety Bar		1
11	Safety Bar Activation Plate		2
12	Safety Block Left		1
13	Safety Block Right		1
14	Safety Guide Plate		2
15	Safety Linkage Bar 1		2
16	Safety Linkage Bar 2		2
17	Square Bar Pivot Plate		2
18	Standard 9500 Series Sling Side		1
19	Standard Crosshead		1
20	Upper Cross Brace	9500 Series Hydro Sling	1
21	WD-9500 Safety Roller		2
22	9500 Series Sling Gusset		4

ITEM NO.	PART NUMBER	DESCRIPTION	QTY.
23	91860A030	3/8" Flat Washer	2
24	98408A132	External Retaining Ring	2
25	1133004	1/4" Flat Washer	8
26	1133012	1/2" Flat Washer	49
27	1133626	1/2" Lock Washer	20
28	1136310	1/2"-13 Nut	20
29	1137018	1/4"-20 Nylon Nut	18
30	110120302	1/4"-20 X .75" HCS	10
31	110120306	1/4" - 20 X 1.5" HCS	8
32	110120378	1/2"-13 X 1" HCS	8
33	110120381	1/2"-13 X 1.75" HCS	18
34	110120387	1/2"-13 X 3.25" HCS	8
35	Safety Block Spacer		2
36	Safety Block Spacer		2
37	WD9500 Slide Guide		5



HD-9500 SLING ASSEMBLY 80" CAB / HYDRO

DO NOT SCALE DRAWING	NAME	DATE	PROJECT NAME
	JCE	7/3/2019	HD-9500 SLING
APPROVAL STATUS:	PROPRIETARY AND CONFIDENTIAL		PROJECT LOCATION
APPROVED	THE INFORMATION CONTAINED IN THIS DRAWING IS THE SOLE PROPERTY OF PRECISION LIFT INDUSTRIES, LLC. ANY REPRODUCTION IN PART OR AS A WHOLE WITHOUT THE WRITTEN PERMISSION OF PRECISION LIFT INDUSTRIES, LLC IS PROHIBITED.		COMMENTS:
APPROVED AS NOTED			
REVISE AND RESUBMIT			
SIGNATURE	SIZE	DWG. NO.	REV.
	A		
	SCALE 1:16		SHEET 6 OF 11



DETAIL R
SCALE 1 : 5

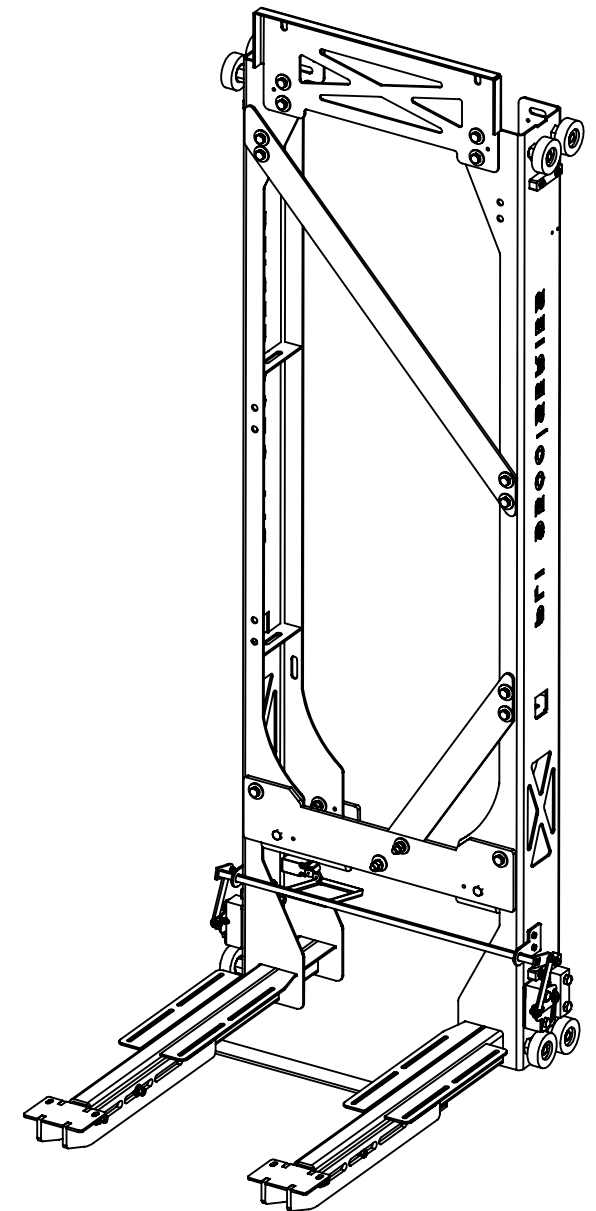


HD-9500 SLING ASSEMBLY 80" CAB / HYDRO

DO NOT SCALE DRAWING	DRAWN	NAME	DATE	PROJECT NAME
	JCE	JCE	7/3/2019	HD-9500 SLING
APPROVAL STATUS:	PROPRIETARY AND CONFIDENTIAL			PROJECT LOCATION
APPROVED	THE INFORMATION CONTAINED IN THIS DRAWING IS THE SOLE PROPERTY OF PRECISION LIFT INDUSTRIES, LLC. ANY REPRODUCTION IN PART OR AS A WHOLE WITHOUT THE WRITTEN PERMISSION OF PRECISION LIFT INDUSTRIES, LLC IS PROHIBITED.			COMMENTS:
APPROVED AS NOTED	SIZE	DWG. NO.	REV.	
REVISE AND RESUBMIT	A			
SIGNATURE	SCALE 1:16		SHEET 7 OF 11	

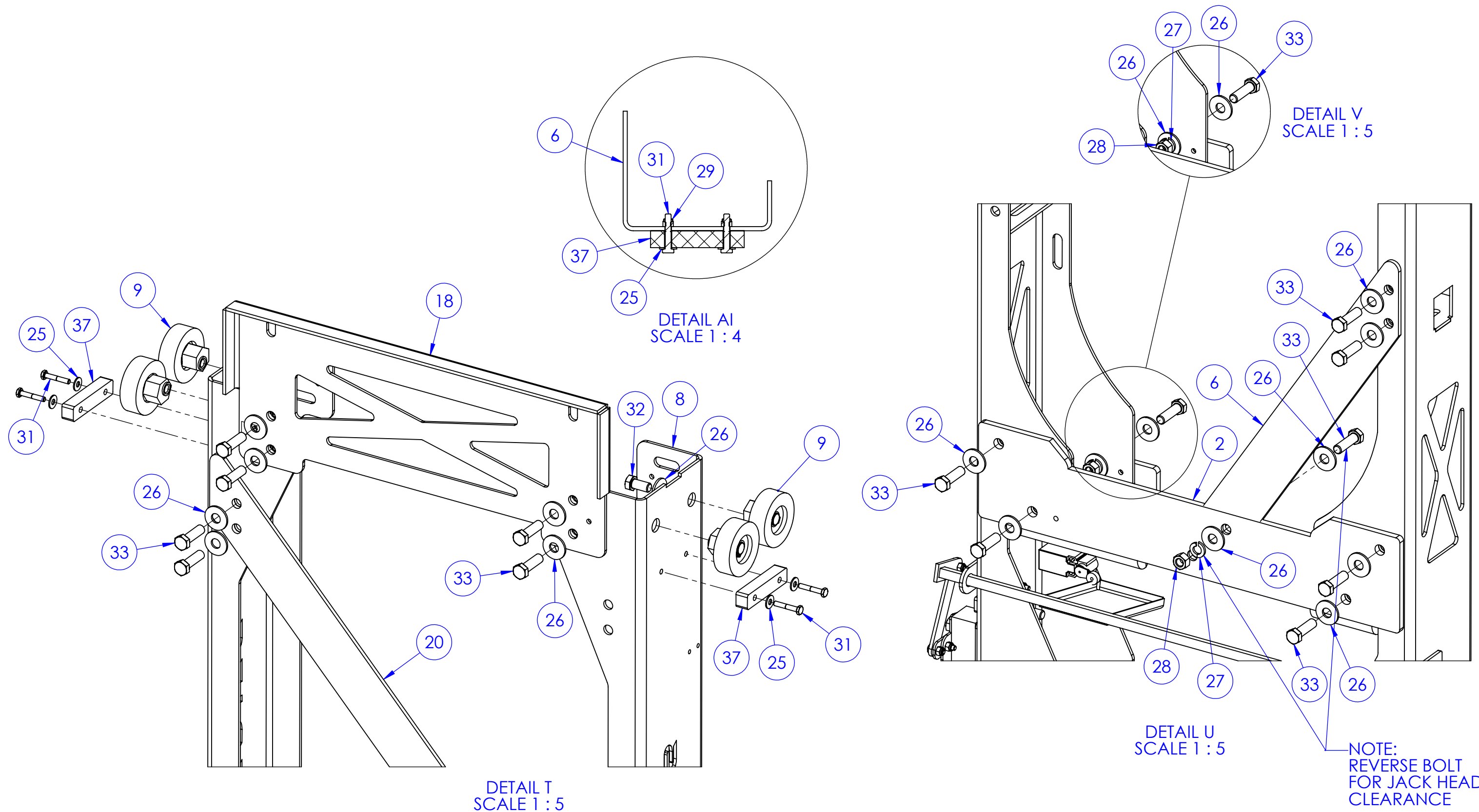
ITEM NO.	PART NUMBER	DESCRIPTION	QTY.
1	Bottom Cross Brace		1
2	HD-9500 Hitch Plate		1
3	HYDRO Safety Activation Pan		1
4	Leg Extensions		1
5	Limit Switch		1
6	Lower Cross Brace		1
7	Leg Extensions		1
8	Standard 9500 Series Sling Side		1
9	Roller Guide		8
10	Safety Bar		1
11	Safety Bar Activation Plate		2
12	Safety Block Left		1
13	Safety Block Right		1
14	Safety Guide Plate		2
15	Safety Linkage Bar 1		2
16	Safety Linkage Bar 2		2
17	Square Bar Pivot Plate		2
18	Standard 84in Crosshead		1
19	Standard 9500 Series Sling Side		1
20	Upper Cross Brace	9500 Series Hydro Sling	1
21	WD-9500 Safety Roller		2
22	9500 Series Sling Gusset		4

ITEM NO.	PART NUMBER	DESCRIPTION	QTY.
23	91860A030	3/8" Flat Washer	2
24	98408A132	External Retaining Ring	2
25	1133004	1/4" Flat Washer	8
26	1133012	1/2" Flat Washer	49
27	1133626	1/2" Lock Washer	20
28	1136310	1/2"-13 Nut	20
29	1137018	1/4"-20 Nylon Nut	18
30	110120302	1/4"-20 X .75" HCS	10
31	110120306	1/4" - 20 X 1.5" HCS	8
32	110120378	1/2"-13 X 1" HCS	8
33	110120381	1/2"-13 X 1.75" HCS	18
34	110120387	1/2"-13 X 3.25" HCS	8
35	Safety Block Spacer		2
36	Safety Block Spacer		2
37	WD9500 Slide Guide		5



HD-9500 SLING ASSEMBLY 84" CAB / HYDRO

DO NOT SCALE DRAWING	DRAWN	NAME	DATE	PROJECT NAME
	JCE	JCE	7/3/2019	HD-9500 SLING
APPROVAL STATUS:	PROPRIETARY AND CONFIDENTIAL			PROJECT LOCATION
APPROVED	THE INFORMATION CONTAINED IN THIS DRAWING IS THE SOLE PROPERTY OF PRECISION LIFT INDUSTRIES, LLC. ANY REPRODUCTION IN PART OR AS A WHOLE WITHOUT THE WRITTEN PERMISSION OF PRECISION LIFT INDUSTRIES, LLC IS PROHIBITED.			COMMENTS:
APPROVED AS NOTED				
REVISE AND RESUBMIT				
SIGNATURE	SIZE	DWG. NO.	REV.	
	A			
	SCALE 1:16			SHEET 8 OF 11

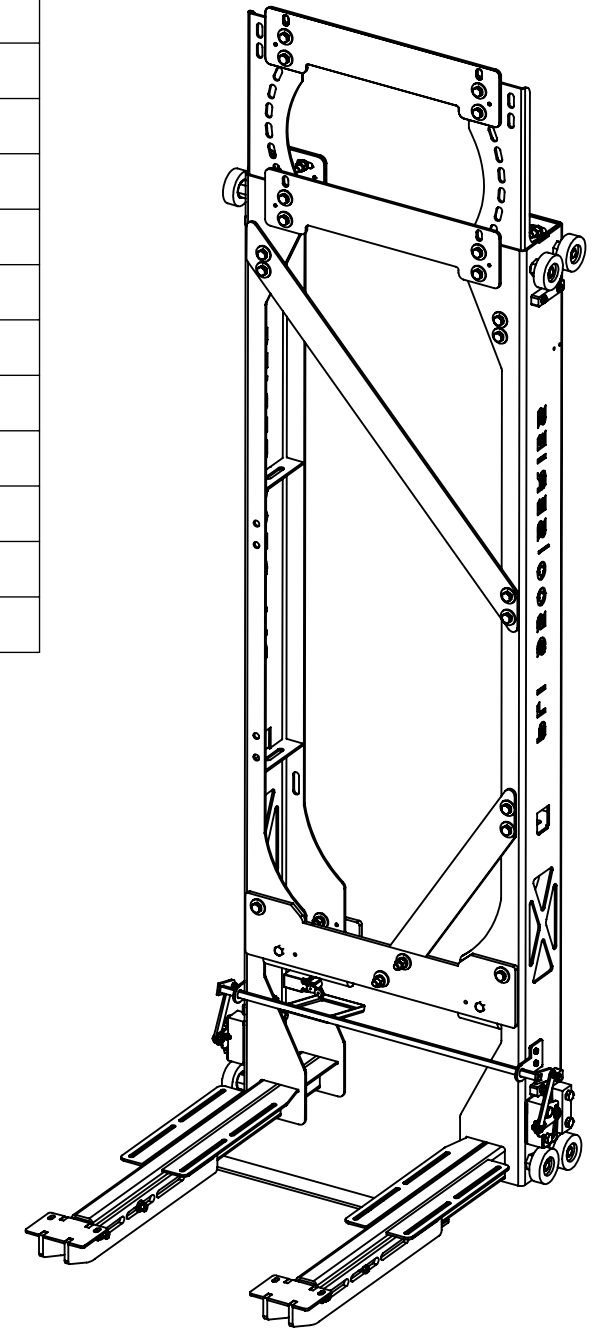


HD-9500 SLING ASSEMBLY 84" CAB / HYDRO

DO NOT SCALE DRAWING	DRAWN	NAME	DATE	PROJECT NAME
	JCE	JCE	7/3/2019	HD-9500 SLING
APPROVAL STATUS:	PROPRIETARY AND CONFIDENTIAL			PROJECT LOCATION
APPROVED	THE INFORMATION CONTAINED IN THIS DRAWING IS THE SOLE PROPERTY OF PRECISION LIFT INDUSTRIES, LLC. ANY REPRODUCTION IN PART OR AS A WHOLE WITHOUT THE WRITTEN PERMISSION OF PRECISION LIFT INDUSTRIES, LLC IS PROHIBITED.			COMMENTS:
APPROVED AS NOTED	SIZE	DWG. NO.	REV.	
REVISE AND RESUBMIT	A			
SIGNATURE	SCALE 1:16		SHEET 9 OF 11	

ITEM NO.	PART NUMBER	DESCRIPTION	QTY.
1	Bottom Cross Brace		1
2	HD-9500 Hitch Plate		1
3	HYDRO Safety Activation Pan		1
4	Leg Extensions		1
5	Limit Switch		1
6	Lower Cross Brace		1
7	95in Sling Extension		1
8	Leg Extensions		1
9	Standard 9500 Series Sling Side		1
10	Roller Guide		8
11	Safety Bar		1
12	Safety Bar Activation Plate		2
13	Safety Block Left		1
14	Safety Block Right		1
15	Safety Guide Plate		2
16	Safety Linkage Bar 1		2
17	Safety Linkage Bar 2		2
18	Sling Extension HCE-001		1
19	Square Bar Pivot Plate		2
20	Standard 9500 Series Sling Side		1
21	Standard Crosshead		3
22	Upper Cross Brace	9500 Series Hydro Sling	1
23	WD-9500 Safety Roller		2
24	9500 Series Sling Gusset		4

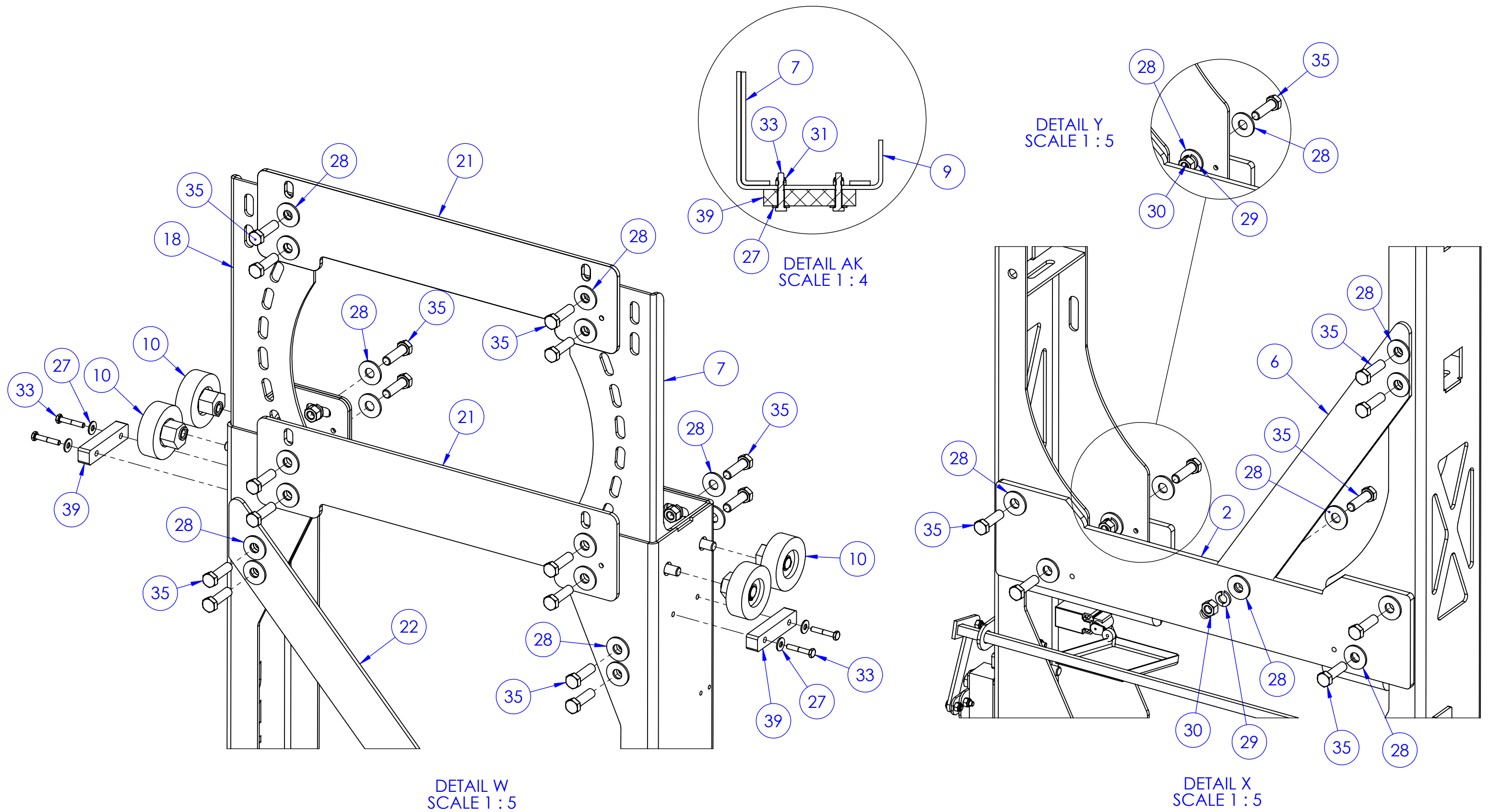
ITEM NO.	PART NUMBER	DESCRIPTION	QTY.
25	91860A030	3/8" Flat Washer	2
26	98408A132	External Retaining Ring	2
27	1133004	1/4" Flat Washer	8
28	1133012	1/2" Flat Washer	75
29	1133626	1/2" Lock Washer	32
30	1136310	1/2"-13 Nut	33
31	1137018	1/4"-20 Nylon Nut	18
32	110120302	1/4"-20 X .75" HCS	10
33	110120306	1/4" - 20 X 1.5" HCS	8
34	110120378	1/2"-13 X 1" HCS	12
35	110120381	1/2"-13 X 1.75" HCS	28
36	110120387	1/2"-13 X 3.25" HCS	8
37	Safety Block Spacer		2
38	Safety Block Spacer		2
39	WD9500 Slide Guide		5



HD-9500 SLING ASSEMBLY

95" CAB / HYDRO

DO NOT SCALE DRAWING	NAME	DATE	PROJECT NAME
	JCE	7/3/2019	HD-9500 SLING
APPROVAL STATUS:	PROPRIETARY AND CONFIDENTIAL		PROJECT LOCATION
	APPROVED	COMMENTS:	
APPROVED AS NOTED	THE INFORMATION CONTAINED IN THIS DRAWING IS THE SOLE PROPERTY OF PRECISION LIFT INDUSTRIES, LLC. ANY REPRODUCTION IN PART OR AS A WHOLE WITHOUT THE WRITTEN PERMISSION OF PRECISION LIFT INDUSTRIES, LLC IS PROHIBITED.		
REVISE AND RESUBMIT			
SIGNATURE	SIZE	DWG. NO.	REV.
	A		
	SCALE 1:16		SHEET 10 OF 11



HD-9500 SLING ASSEMBLY 95" CAB / HYDRO

DO NOT SCALE DRAWING	NAME	DATE	PROJECT NAME
	JCE	7/3/2019	HD-9500 SLING
APPROVAL STATUS:	PROPRIETARY AND CONFIDENTIAL		PROJECT LOCATION
APPROVED	THE INFORMATION CONTAINED IN THIS DRAWING IS THE SOLE PROPERTY OF PRECISION LIFT INDUSTRIES, LLC. ANY REPRODUCTION IN PART OR AS A WHOLE WITHOUT THE WRITTEN PERMISSION OF PRECISION LIFT INDUSTRIES, LLC IS PROHIBITED.		COMMENTS:
APPROVED AS NOTED			
REVISE AND RESUBMIT			
SIGNATURE	SIZE	DWG. NO.	REV.
	A		
	SCALE 1:16		SHEET 11 OF 11