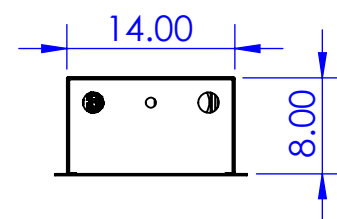
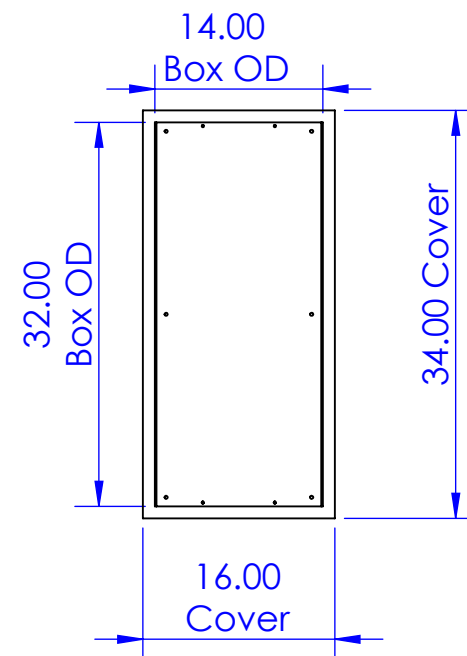
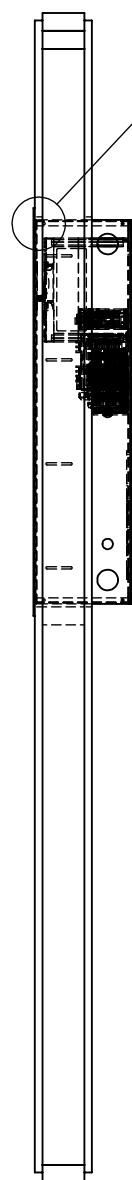
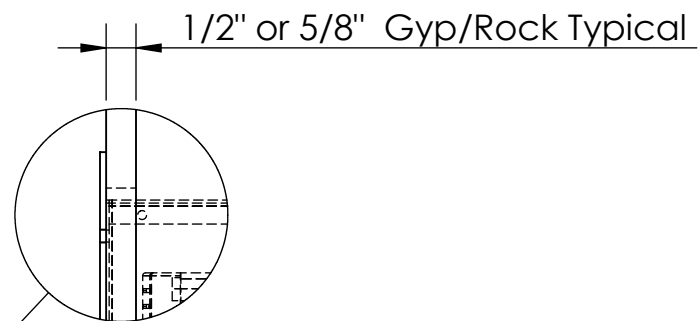
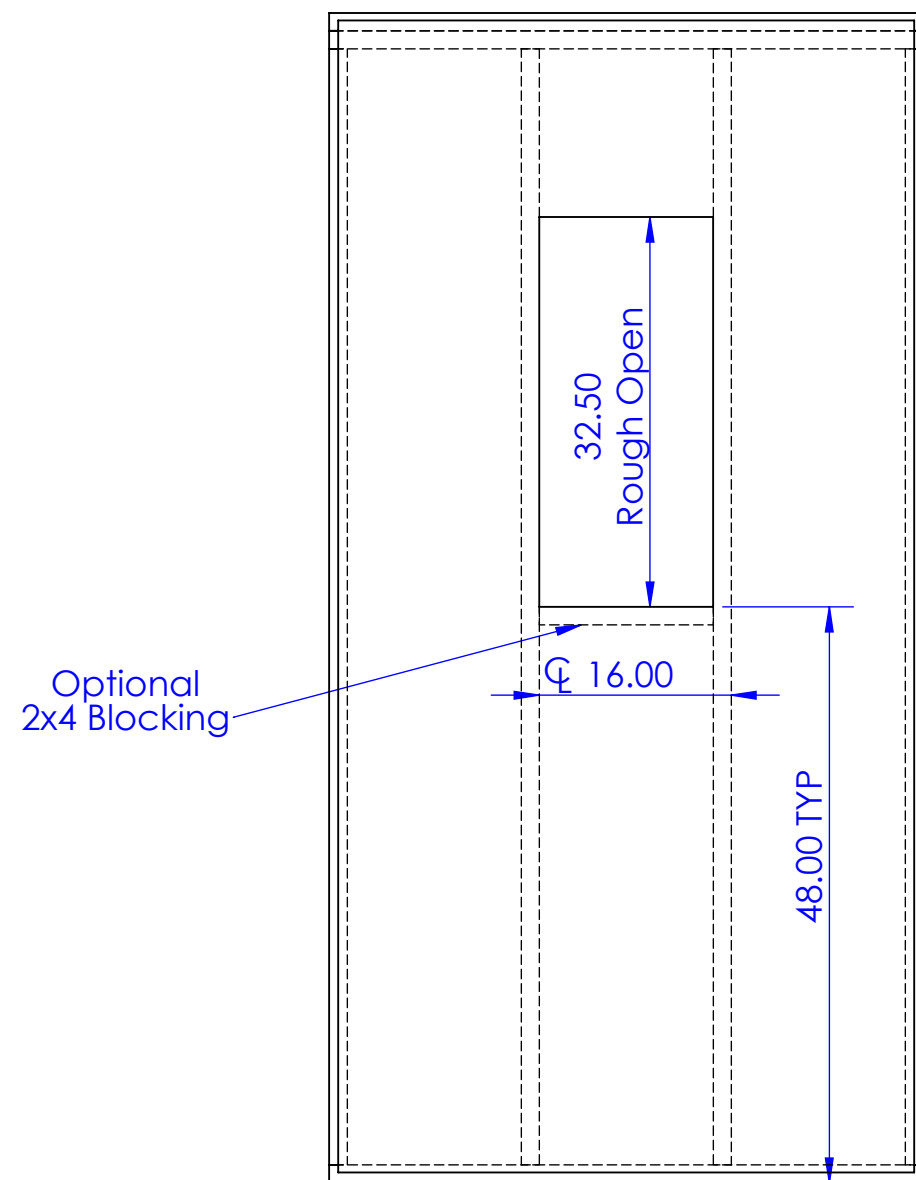
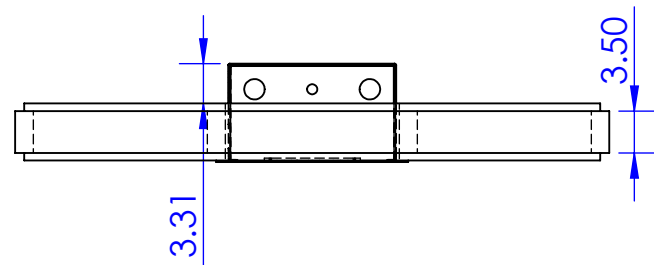
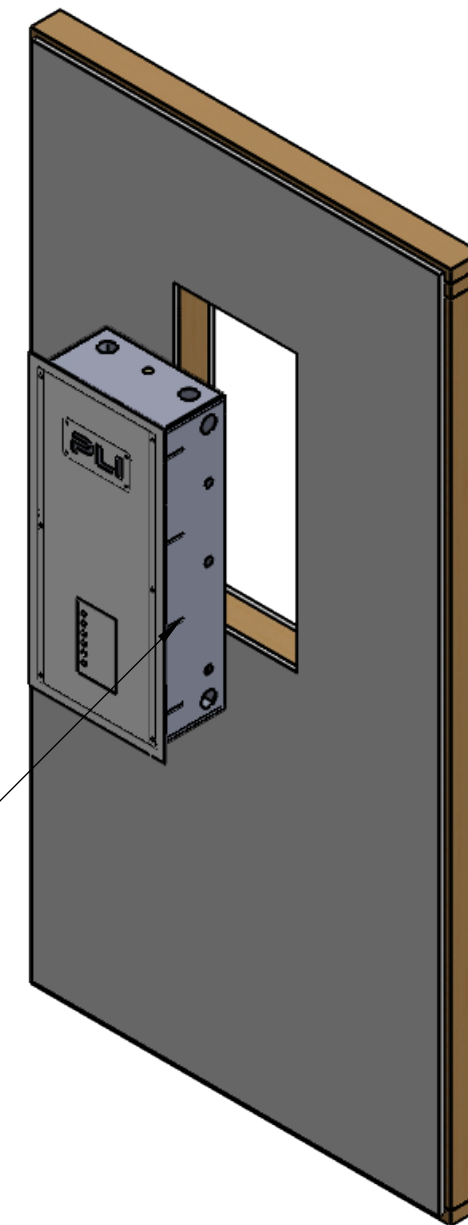


Ideally Inside Elevator Hoistway.
Check with Installation Team or Reference
FINAL APPROVED Layout Drawing



Secure Side
Slots To Wall Studs
Via Wood Screws



9500 Series Residential Elevator Flush Mount Controller

DO NOT SCALE DRAWING	DRAWN	NAME	DATE	PROJECT NAME
	KSB	KSB	3-13-19	
APPROVAL STATUS:	PROPRIETARY AND CONFIDENTIAL			PROJECT LOCATION
APPROVED	THE INFORMATION CONTAINED IN THIS DRAWING IS THE SOLE PROPERTY OF PRECISION LIFT INDUSTRIES, LLC. ANY REPRODUCTION IN PART OR AS A WHOLE WITHOUT THE WRITTEN PERMISSION OF PRECISION LIFT INDUSTRIES, LLC IS PROHIBITED.			COMMENTS:
APPROVED AS NOTED				PLI WD9500 Controller
REVISE AND RESUBMIT				SCALE DWG. NO. REV.
SIGNATURE				A
	SCALE 1:16			SHEET 1 OF 1